

SFP+ ZR

10G Ethernet 80km SFP+ Transceiver

10GBASE-ZR / 10GBASE-ZW



GLOBIXIT
IT NETWORKING SPECIALISTS

Product Features

- ✓ Compliant with IEEE Std 802.3-2005
- ✓ 10G Ethernet 10GBase-ZR/ZW
- ✓ Electrical interface specifications per SFF-8431
- ✓ Management interface specifications per SFF-8431 and SFF-8472
- ✓ SFP+ MSA package with duplex LC connector
- ✓ Cooled 1550nm EML Laser
- ✓ Up to 10.3Gb/s bi-directional data links
- ✓ Single +3.3V power supply
- ✓ Class 1 laser safety certified
- ✓ Operating temperature Options:
 - (Commercial) 0°C to +70°C
 - (Industrial) -40°C to +85°C
- ✓ Up to 80km on 9/125µm SMF
- ✓ RoHS Compliant



Applications

- ✓ 10G Ethernet 10GBASE-ZR/ZW

Descriptions

SFP+ ZR transceivers, according to Enhanced 8.5 and 10 Gigabit Small Form Factor Pluggable “SFP+” Multi-Sourcing Agreement (MSA) SFF-8431 and SFF-8472, revision 10.4, are designed for 10G Ethernet serial optical data communication up to 80km on single mode fiber. They are compliant with IEEE Std 802.3-2005 10Gb Ethernet 10GBase-ZR/ZW.

SFP+ ZR offer commercial and industrial operating temperature options.

Ordering Information

Table 1. Ordering Information

Part Number	Transmitter	Output Power	Receiver	Sensitivity	Reach	Temp	DDM	RoHS
SFP+ ZR	1550nm EML	0 ~ +4dBm	APD	< -24dBm	80km	0 ~ 70°C	Available	Compliant
SFP+ZR ITEMP	1550nm EML	0 ~ +4dBm	APD	< -24dBm	80km	-40 ~ 85 °C	Available	Compliant

Headquarter

Globix Vertriebs GmbH & Co. KG
Jakob-Meyer-Weg 5
D-47877 Willich

Salesoffice

Globix Vertriebs GmbH & Co. KG
D-München

Salesoffice

Globix Vertriebs GmbH & Co. KG
Schleiufer 14
D-39104 Magdeburg

T: +49 (0) 2154 88972 – 0
F: +49 (0) 2154 88972 – 10
info@globix-it.de
www.globix-it.de

SFP+ ZR
 10G Ethernet 80km SFP+ Transceiver
 10GBASE-ZR / 10GBASE-ZW



GLOBIXIT[™]
 IT NETWORKING SPECIALISTS

Pin Description

Table 2. Pin Description

Pin	Name	Function/Description	Notes
1	VeeT	Transmitter Ground	1
2	TX_Fault	Transmitter Fault (LVTTTL-O) - High indicates a fault condition	2
3	TX_Disable	Transmitter Disable (LVTTTL-I) - High or open disables the transmitter	3
4	SDA	Two wire serial interface Data Line (LVCMOS-I/O) (MOD-DEF2)	4
5	SCL	Two wire serial interface Clock Line (LVCMOS-I/O) (MOD-DEF1)	4
6	MOD_ABS	Module Absent (Output), connected to VeeT or VeeR in the module	5
7	RS0	Rate Select 0 - Not used, Presents high input impedance	-
8	RX_LOS	Receiver Loss of Signal (LVTTTL-O)	2
9	RS1	Rate Select 1 - Not used, Presents high input impedance	-
10	VeeR	Receiver Ground	1
11	VeeR	Receiver Ground	1
12	RD-	Inverse Received Data out (CML-O)	-
13	RD+	Received Data out (CML-O)	-
14	VeeR	Receiver Ground	-
15	VccR	Receiver Power - +3.3V	-
16	VccT	Transmitter Power - +3.3 V	-
17	VeeT	Transmitter Ground	1
18	TD+	Transmitter Data In (CML-I)	-
19	TD-	Inverse Transmitter Data In (CML-I)	-
20	VeeT	Transmitter Ground	1

Notes:

1. The module signal grounds are isolated from the module case.
2. This is an open collector/drain output that on the host board requires a 4.7KΩ to 10KΩ pull-up resistor to VccHost.
3. This input is internally biased high with a 4.7KΩ to 10KΩ pull-up resistor to VccT.
4. Two-Wire Serial interface clock and data lines require an external pull-up resistor dependent on the capacitance load.
5. This is a ground return that on the host board requires a 4.7KΩ to 10KΩ pull-up resistor to VccHost.

Headquarter

Globix Vertriebs GmbH & Co. KG
 Jakob-Meyer-Weg 5
 D-47877 Willich

Salesoffice

Globix Vertriebs GmbH & Co. KG
 D-München

Salesoffice

Globix Vertriebs GmbH & Co. KG
 Schleinufer 14
 D-39104 Magdeburg

T: +49 (0) 2154 88972 - 0
 F: +49 (0) 2154 88972 - 10
 info@globix-it.de
 www.globix-it.de

SFP+ ZR
10G Ethernet 80km SFP+ Transceiver
10GBASE-ZR / 10GBASE-ZW



GLOBIXIT[™]
IT NETWORKING SPECIALISTS

Absolute Maximum Ratings

Stresses in excess of the absolute maximum ratings can cause permanent damage to the device. These are absolute stress ratings only. Functional operation of the device is not implied at these or any other conditions in excess of those given in the operational sections of the data sheet. Exposure to absolute maximum ratings for extended periods can adversely affect device reliability.

Table 3. Absolute Maximum Ratings

Parameter	Symbol	Minimum	Maximum	Unit
Storage Temperature	T_S	-40	85	°C
Relative Humidity	RH	5	95	%
Supply Voltage	V_{CC}	-0.5	4.0	V

Recommended Operating Conditions

Table 4. Recommended Operating Conditions

Parameter	Symbol	Min	Typ	Max	Unit
Operating Case Temperature	T_C	0	25	70	°C
Supply Voltage	V_{CC}	3.135	3.3	3.465	V
Data Rate	-	-	10.3125	-	Gb/s

Transceiver Electrical Characteristics

Table 5. Transceiver Electrical Characteristics

Parameter	Symbol	Minimum	Typical	Maximum	Unit	Notes	
Module Supply Current	I_{CC}	-	-	620	mA	-	
Power Dissipation	P_D	-	-	2000	mW	-	
Transmitter							
Input Differential Impedance	Z_{IN}	-	100	-	Ω	-	
Differential Data Input Swing	$V_{IN, P-P}$	180	-	700	mV _{P-P}	-	
TX_FAULT	Transmitter Fault	V_{OH}	2.0	-	V_{CCHOST}	V	-
	Normal Operation	V_{OL}	0	-	0.8	V	-
TX_DISABLE	Transmitter Disable	V_{IH}	2.0	-	V_{CCHOST}	V	-
	Transmitter Enable	V_{IL}	0	-	0.8	V	-
Receiver							
Output Differential Impedance	Z_O	-	100	-	Ω	-	
Differential Data Output Swing	$V_{OUT, P-P}$	300	-	850	mV _{P-P}	1	

Headquarter
Globix Vertriebs GmbH & Co. KG
Jakob-Meyer-Weg 5
D-47877 Willich

Salesoffice
Globix Vertriebs GmbH & Co. KG
D-München

Salesoffice
Globix Vertriebs GmbH & Co. KG
Schleiufer 14
D-39104 Magdeburg

T: +49 (0) 2154 88972 – 0
F: +49 (0) 2154 88972 – 10
info@globix-it.de
www.globix-it.de

SFP+ ZR
 10G Ethernet 80km SFP+ Transceiver
 10GBASE-ZR / 10GBASE-ZW



GLOBIXIT[™]
 IT NETWORKING SPECIALISTS

Data Output Rise Time, Fall Time	t_r, t_f	28	-	-	ps	2	
RX_LOS	Loss of signal (LOS)	V_{OH}	2.0	-	V_{CCHOST}	V	3
	Normal Operation	V_{OL}	0	-	0.8	V	3

Notes:

1. Internally AC coupled, but requires a external 100Ω differential load termination.
2. 20–80%.
3. LOS is an open collector output. Should be pulled up with 4.7KΩ on the host board.

Transmitter Optical Characteristics

Table 6. Transmitter Optical Characteristics

Parameter	Symbol	Minimum	Typical	Maximum	Unit	Notes
Launch Optical Power	P_o	0	-	+4.0	dBm	1
Center Wavelength Range	λ_c	1530	1550	1565	nm	-
Extinction Ratio	EX	5.0	-	-	dB	2
Side Mode Suppression Ratio	SMSR	30	-	-	dB	-
Transmitter and Dispersion Penalty	TDP	-	-	3.0	dB	-
Relative Intensity Noise	RIN			-128	dB/Hz	
Optical Return Loss Tolerance	ORLT	-	-	21	dB	-
Pout @TX-Disable Asserted	P_{off}	-	-	-30	dBm	1
Eye Diagram	IEEE Std 802.3-2005 10Gb Ethernet 10GBASE-ZR compatible					

Notes:

1. The optical power is launched into 9/125μm SMF.
2. Measured with a PRBS $2^{31}-1$ test pattern @10.3125Gbps.

Headquarter

Globix Vertriebs GmbH & Co. KG
 Jakob-Meyer-Weg 5
 D-47877 Willich

Salesoffice

Globix Vertriebs GmbH & Co. KG
 D-München

Salesoffice

Globix Vertriebs GmbH & Co. KG
 Schleinufer 14
 D-39104 Magdeburg

T: +49 (0) 2154 88972 – 0
 F: +49 (0) 2154 88972 – 10
 info@globix-it.de
 www.globix-it.de

SFP+ ZR
10G Ethernet 80km SFP+ Transceiver
10GBASE-ZR / 10GBASE-ZW



GLOBIXIT[™]
IT NETWORKING SPECIALISTS

Receiver Optical Characteristics

Table 7. Receiver Optical Characteristics

Parameter	Symbol	Minimum	Typical	Maximum	Unit	Notes
Center Wavelength	λ_c	1530	-	1565	nm	-
Receiver Sensitivity (P_{avg})	S	-	-	-24	dBm	1
Receiver Overload (P_{avg})	P_{OL}	-7.0	-	-	dBm	1
Optical Return Loss	ORL	26	-	-	dB	-
LOS De-Assert	LOS_D	-	-	-25	dBm	-
LOS Assert	LOS_A	-35	-	-	dBm	-
LOS Hysteresis	-	0.5	-	-	dB	-

Notes:

1. Measured with PRBS 2³¹-1 test pattern, 10.3125Gb/s, BER<10⁻¹².
2. Comply with IEEE 802.3-2005.

Headquater

Globix Vertriebs GmbH & Co. KG
Jakob-Meyer-Weg 5
D-47877 Willich

Salesoffice

Globix Vertriebs GmbH & Co. KG
D-München

Salesoffice

Globix Vertriebs GmbH & Co. KG
Schleiufer 14
D-39104 Magdeburg

T: +49 (0) 2154 88972 – 0
F: +49 (0) 2154 88972 – 10
info@globix-it.de
www.globix-it.de

Recommended Host Board Power Supply Filter Network

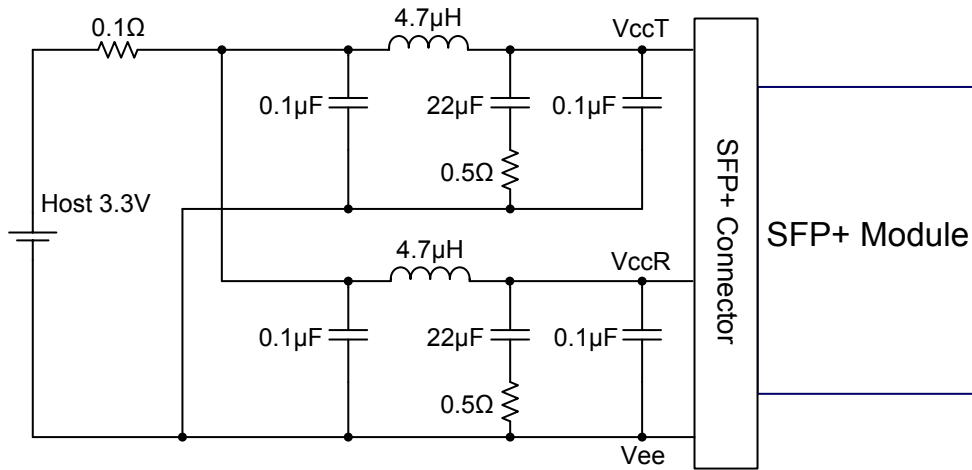


Figure 2. Recommended Host Board Power Supply Filter Network

Recommended Application Interface Block Diagram

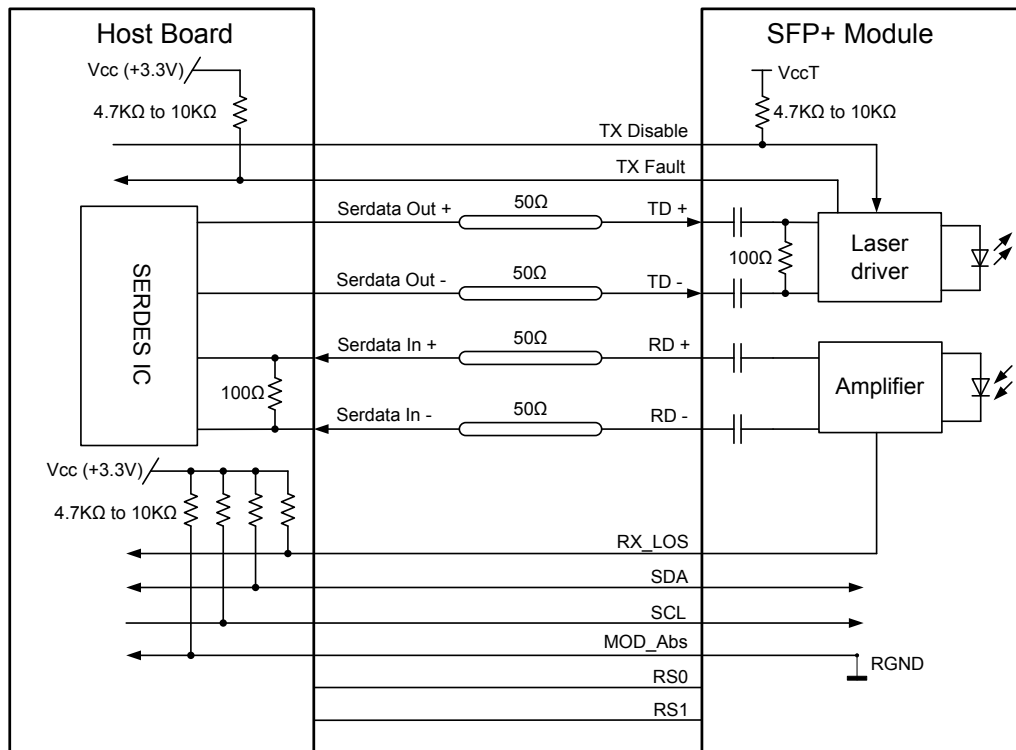


Figure 4. Recommended Application Interface Block Diagram

SFP+ ZR
 10G Ethernet 80km SFP+ Transceiver
 10GBASE-ZR / 10GBASE-ZW



GLOBIXIT
 IT NETWORKING SPECIALISTS

Mechanical specifications

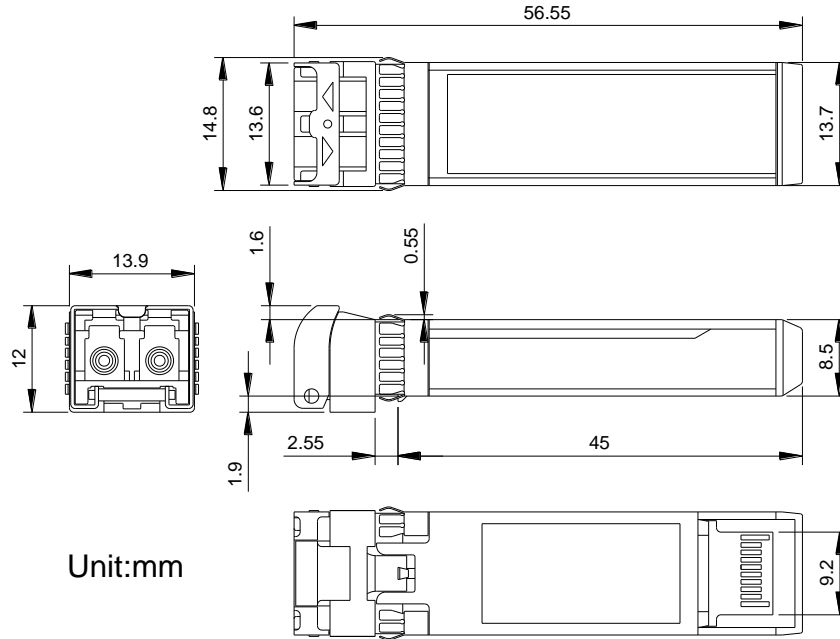
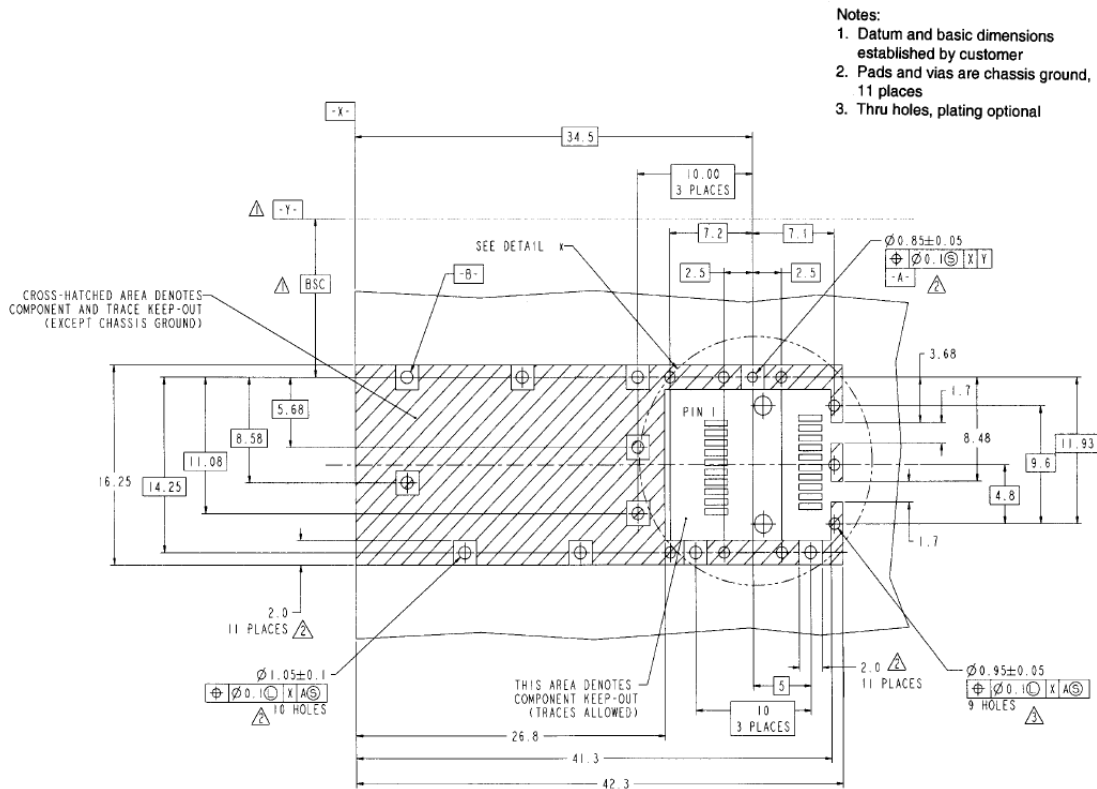


Figure 5. Outline Drawing

PCB layout recommendation



- Notes:
1. Datum and basic dimensions established by customer
 2. Pads and vias are chassis ground, 11 places
 3. Thru holes, plating optional

Headquarter
 Globix Vertriebs GmbH & Co. KG
 Jakob-Meyer-Weg 5
 D-47877 Willich

Salesoffice
 Globix Vertriebs GmbH & Co. KG
 D-München

Salesoffice
 Globix Vertriebs GmbH & Co. KG
 Schleinufer 14
 D-39104 Magdeburg

T: +49 (0) 2154 88972 - 0
 F: +49 (0) 2154 88972 - 10
 info@globix-it.de
 www.globix-it.de

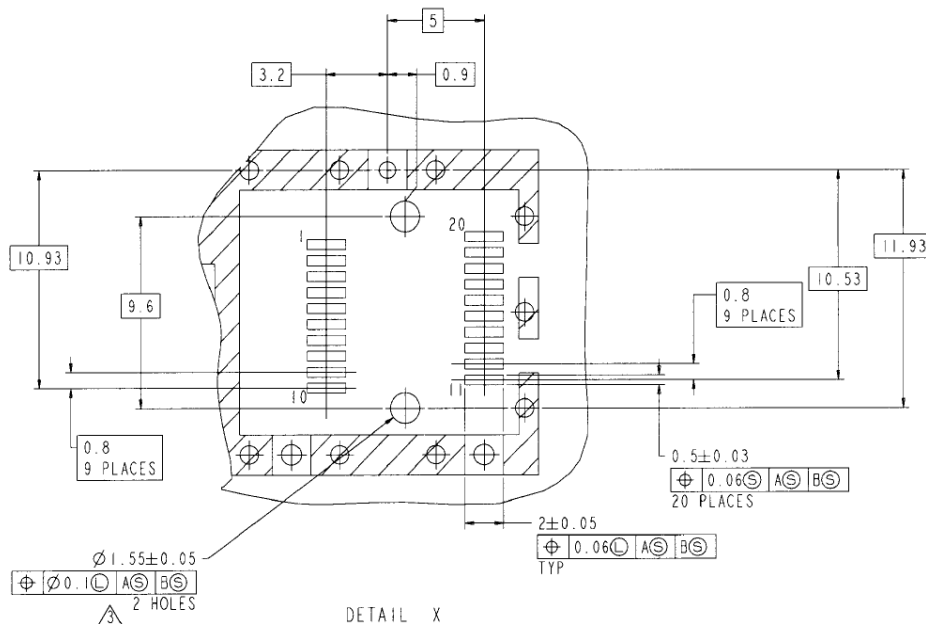


Figure 6. PCB layout recommendation

For more information

Globix Vertriebs GmbH & Co. KG
Jakob-Meyer-Weg 5
47877 Willich / Germany

Sales Hotline: +49 (0)391 563921 – 0
eMail: sales@globix-it.de
web: www.globix-it.de