

# SFP+ SR

## 10G Ethernet 300m SFP+ Transceiver

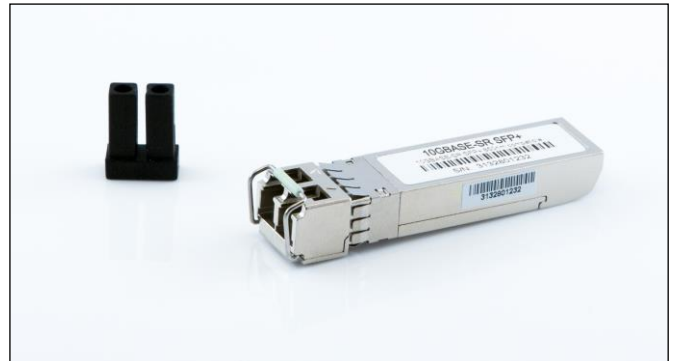
### 10GBASE-SR / 10GBASE-SW



**GLOBIXIT**  
IT NETWORKING SPECIALISTS

#### Product Features

- ✓ Compliant with IEEE Std 802.3-2005 10G
- ✓ Ethernet 10GBase-SR
- ✓ Electrical interface specifications per SFF-8431
- ✓ Management interface specifications per SFF-8431 and SFF-8472
- ✓ SFP+ MSA package with duplex LC connector
- ✓ Uncooled 850nm VCSEL Laser
- ✓ Up to 10.3Gb/s bi-directional data links
- ✓ Single +3.3V power supply
- ✓ Class 1 laser safety certified
- ✓ Commercial operating temperature:
  - (Commercial) -5°C to +70°C
  - (Industrial) -40°C to +85°C
- ✓ Up to 300m on 2000 MHz·km MMF
- ✓ RoHS Compliant



#### Applications

- ✓ 10G Ethernet 10GBASE-SR/SW

#### Descriptions

SFP+ SR transceivers, according to Enhanced 8.5 and 10 Gigabit Small Form Factor Pluggable “SFP+” Multi-Sourcing Agreement (MSA) SFF-8431 and SFF-8472, revision 10.4, are designed for 10G Ethernet serial optical data communication up to 300m on multimode fiber. They are compatible with IEEE Std 802.3-2005 10Gb Ethernet 10GBase-SR.

SFP+ SR offer commercial and industrial operating temperature options.

#### Ordering Information

Table 1. Ordering Information

Part Number	Transmitter	Output Power	Receiver	Sensitivity	Reach	Temp	DDM	RoHS
SFP+SR	850nm VCSEL	-5 ~ -1dBm	PIN	< -9.9dBm	300m	-5 ~ 70°C	Available	Compliant
SFP+SR ITEMP	850nm VCSEL	-5 ~ -1dBm	PIN	< -9.9dBm	300m	-40 ~ 85°C	Available	Compliant

#### Headquarter

Globix Vertriebs GmbH & Co. KG  
Jakob-Meyer-Weg 5  
D-47877 Willich

#### Salesoffice

Globix Vertriebs GmbH & Co. KG  
D-München

#### Salesoffice

Globix Vertriebs GmbH & Co. KG  
Schleiufer 14  
D-39104 Magdeburg

T: +49 (0) 2154 88972 – 0  
F: +49 (0) 2154 88972 – 10  
info@globix-it.de  
www.globix-it.de

SFP+ SR  
10G Ethernet 300m SFP+ Transceiver  
10GBASE-SR / 10GBASE-SW



**GLOBIXIT**<sup>™</sup>  
IT NETWORKING SPECIALISTS

Pin Description

Table 2. Pin Description

Pin	Name	Function/Description	Notes
1	VeeT	Transmitter Ground	1
2	TX_Fault	Transmitter Fault (LVTTTL-O) - High indicates a fault condition	2
3	TX_Disable	Transmitter Disable (LVTTTL-I) - High or open disables the transmitter	3
4	SDA	Two wire serial interface Data Line (LVCMOS-I/O) (MOD-DEF2)	4
5	SCL	Two wire serial interface Clock Line (LVCMOS-I/O) (MOD-DEF1)	4
6	MOD_ABS	Module Absent (Output), connected to VeeT or VeeR in the module	5
7	RS0	Rate Select 0 - Not used, Presents high input impedance	-
8	RX_LOS	Receiver Loss of Signal (LVTTTL-O)	2
9	RS1	Rate Select 1 - Not used, Presents high input impedance	-
10	VeeR	Receiver Ground	1
11	VeeR	Receiver Ground	1
12	RD-	Inverse Received Data out (CML-O)	-
13	RD+	Received Data out (CML-O)	-
14	VeeR	Receiver Ground	-
15	VccR	Receiver Power - +3.3V	-
16	VccT	Transmitter Power - +3.3 V	-
17	VeeT	Transmitter Ground	1
18	TD+	Transmitter Data In (CML-I)	-
19	TD-	Inverse Transmitter Data In (CML-I)	-
20	VeeT	Transmitter Ground	1

Notes:

1. The module signal grounds are isolated from the module case.
2. This is an open collector/drain output that on the host board requires a 4.7K $\Omega$  to 10K $\Omega$  pull-up resistor to VccHost.
3. This input is internally biased high with a 4.7K $\Omega$  to 10K $\Omega$  pull-up resistor to VccT.
4. Two-Wire Serial interface clock and data lines require an external pull-up resistor dependent on the capacitance load.
5. This is a ground return that on the host board requires a 4.7K $\Omega$  to 10K $\Omega$  pull-up resistor to VccHost.

**Headquarter**

Globix Vertriebs GmbH & Co. KG  
Jakob-Meyer-Weg 5  
D-47877 Willich

**Salesoffice**

Globix Vertriebs GmbH & Co. KG  
D-München

**Salesoffice**

Globix Vertriebs GmbH & Co. KG  
Schleiufer 14  
D-39104 Magdeburg

T: +49 (0) 2154 88972 - 0  
F: +49 (0) 2154 88972 - 10  
info@globix-it.de  
www.globix-it.de

SFP+ SR  
10G Ethernet 300m SFP+ Transceiver  
10GBASE-SR / 10GBASE-SW



**GLOBIXIT**  
IT NETWORKING SPECIALISTS

### Absolute Maximum Ratings

Stresses in excess of the absolute maximum ratings can cause permanent damage to the device. These are absolute stress ratings only. Functional operation of the device is not implied at these or any other conditions in excess of those given in the operational sections of the data sheet. Exposure to absolute maximum ratings for extended periods can adversely affect device reliability.

**Table 3. Absolute Maximum Ratings**

Parameter	Symbol	Minimum	Maximum	Unit
Storage Temperature	$T_S$	-40	85	°C
Relative Humidity	RH	5	95	%
Supply Voltage	$V_{CC}$	-0.5	4.0	V

### Recommended Operating Conditions

**Table 4. Recommended Operating Conditions**

Parameter	Symbol	Min	Typ	Max	Unit
Operating Case Temperature	$T_C$	-10	25	70	°C
Supply Voltage	$V_{CC}$	3.135	3.3	3.465	V
Data Rate	-	-	6.144	-	Gb/s

### Transceiver Electrical Characteristics

**Table 5. Transceiver Electrical Characteristics**

Parameter	Symbol	Minimum	Typical	Maximum	Unit	Notes	
Module Supply Current	$I_{CC}$	-	-	290	mA	-	
Power Dissipation	$P_D$	-	-	1000	mW	-	
<b>Transmitter</b>							
Input Differential Impedance	$Z_{IN}$	-	100	-	$\Omega$	-	
Differential Data Input Swing	$V_{IN, P-P}$	180	-	700	mV <sub>P-P</sub>	-	
TX_FAULT	Transmitter Fault	$V_{OH}$	2.0	-	$V_{CC}$	V	TX_FAULT
	Normal Operation	$V_{OL}$	0	-	0.8	V	
TX_DISABLE	Transmitter Disable	$V_{IH}$	2.0	-	$V_{CC}$	V	TX_DISABLE
	Transmitter Enable	$V_{IL}$	0	-	0.8	V	
<b>Receiver</b>							
Output Differential Impedance	$Z_O$	-	100	-	$\Omega$	-	

SFP+ SR  
10G Ethernet 300m SFP+ Transceiver  
10GBASE-SR / 10GBASE-SW



**GLOBIXIT**  
IT NETWORKING SPECIALISTS

Differential Data Output Swing	$V_{OUT, P-P}$	300	-	850	$mV_{P-P}$	1	
Data Output Rise Time, Fall Time	$t_r, t_f$	28	-	-	ps	2	
RX_LOS	Loss of signal (LOS)	$V_{OH}$	2.0	-	$V_{CC}$	V	RX_LOS
	Normal Operation	$V_{OL}$	0	-	0.8	V	

**Notes:**

1. Internally AC coupled, but requires a external 100Ω differential load termination.
2. 20–80%.
3. LOS is an open collector output. Should be pulled up with 4.7KΩ on the host board.

**Transmitter Optical Characteristics**

Table 6. Transmitter Optical Characteristics

Parameter	Symbol	Minimum	Typical	Maximum	Unit	Notes
Launch Optical Power	$P_o$	-5	-3	-1	dBm	1
Center Wavelength Range	$\lambda_c$	840	850	860	nm	-
Extinction Ratio	EX	3	-	-	dB	2
Optical Modulation Amplitude	OMA	Refer to Table 7			dBm	1
Spectral Width (RMS)	$\Delta\lambda$	Refer to Table 7			nm	-
Transmitter and Dispersion Penalty	TDP	-	-	3.9	dB	-
Optical Return Loss Tolerance	ORLT	-	-	12	dB	-
Pout @TX-Disable Asserted	$P_{off}$	-	-	-30	dBm	1
Eye Diagram	IEEE Std 802.3-2005 10Gb Ethernet 10GBASE-SR compatible					

**Notes:**

1. 50/125μm fiber with NA = 0.2, 62.5/125μm fiber with NA = 0.275.
2. Measured with a PRBS 2<sup>31</sup>-1 test pattern @6.144Gbps.

**Headquarter**

Globix Vertriebs GmbH & Co. KG  
Jakob-Meyer-Weg 5  
D-47877 Willich

**Salesoffice**

Globix Vertriebs GmbH & Co. KG  
D-München

**Salesoffice**

Globix Vertriebs GmbH & Co. KG  
Schleiufer 14  
D-39104 Magdeburg

T: +49 (0) 2154 88972 – 0  
F: +49 (0) 2154 88972 – 10  
info@globix-it.de  
www.globix-it.de

SFP+ SR  
 10G Ethernet 300m SFP+ Transceiver  
 10GBASE-SR / 10GBASE-SW



**GLOBIXIT**<sup>™</sup>  
 IT NETWORKING SPECIALISTS

Table 7. Minimum Optical Modulation Amplitude as a function of center wavelength and spectral width

Center Wavelength (nm)	RMS Spectral Width (nm)								
	Up to 0.05	0.05 to 0.1	0.1 to 0.15	0.15 to 0.2	0.2 to 0.25	0.25 to 0.3	0.3 to 0.35	0.35 to 0.4	0.4 to 0.45
840 to 842	-4.2	-4.2	-4.1	-4.1	-3.9	-3.8	-3.5	-3.2	-2.8
842 to 844	-4.2	-4.2	-4.2	-4.1	-3.9	-3.8	-3.6	-3.3	-2.9
844 to 846	-4.2	-4.2	-4.2	-4.1	-4.0	-3.8	-3.6	-3.3	-2.9
846 to 848	-4.3	-4.2	-4.2	-4.1	-4.0	-3.8	-3.6	-3.3	-2.9
848 to 850	-4.3	-4.2	-4.2	-4.1	-4.0	-3.8	-3.6	-3.3	-3.0
850 to 852	-4.3	-4.2	-4.2	-4.1	-4.0	-3.8	-3.6	-3.4	-3.0
852 to 854	-4.3	-4.2	-4.2	-4.1	-4.0	-3.9	-3.7	-3.4	-3.1
854 to 856	-4.3	-4.3	-4.2	-4.1	-4.0	-3.9	-3.7	-3.4	-3.1
856 to 858	-4.3	-4.3	-4.2	-4.1	-4.0	-3.9	-3.7	-3.5	-3.1
858 to 860	-4.3	-4.3	-4.2	-4.2	-4.1	-3.9	-3.7	-3.5	-3.2

**Headquarter**

Globix Vertriebs GmbH & Co. KG  
 Jakob-Meyer-Weg 5  
 D-47877 Willich

**Salesoffice**

Globix Vertriebs GmbH & Co. KG  
 D-München

**Salesoffice**

Globix Vertriebs GmbH & Co. KG  
 Schleinufer 14  
 D-39104 Magdeburg

T: +49 (0) 2154 88972 – 0  
 F: +49 (0) 2154 88972 – 10  
 info@globix-it.de  
 www.globix-it.de



Receiver Optical Characteristics

Table 7. Receiver Optical Characteristics

Parameter	Symbol	Minimum	Typical	Maximum	Unit	Notes
Center Wavelength	$\lambda_c$	840	-	860	nm	-
Receiver Sensitivity ( $P_{avg}$ )	S	-	-	-9.9	dBm	1
Receiver Sensitivity (OMA)	$S_{OMA}$	-	-	-11.1	dBm	1
Receiver Overload ( $P_{avg}$ )	$P_{OL}$	-1.0	-	-	dBm	1
Stressed Sensitivity (OMA)	-	-	-	-7.5	dBm	2
Optical Return Loss	ORL	12	-	-	dB	-
LOS De-Assert	$LOS_D$	-	-	-11	dBm	-
LOS Assert	$LOS_A$	-30	-	-	dBm	-
LOS Hysteresis	-	0.5	-	-	dB	-

Notes:

1. Measured with PRBS 2<sup>31</sup>-1 test pattern, 6.144Gb/s, BER<10<sup>-12</sup>.
2. Comply with IEEE 802.3-2005.

Recommended Host Board Power Supply Filter Network

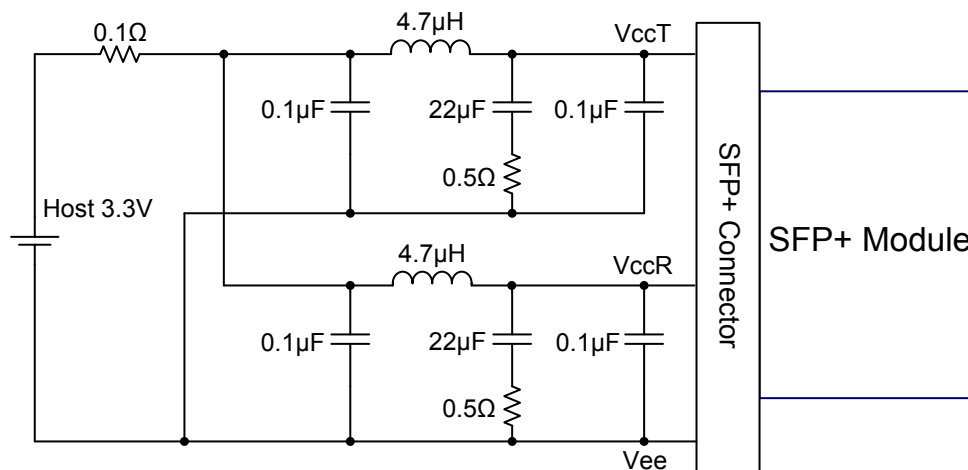


Figure 2. Recommended Host Board Power Supply Filter Network

**Headquater**

Globix Vertriebs GmbH & Co. KG  
 Jakob-Meyer-Weg 5  
 D-47877 Willich

**Salesoffice**

Globix Vertriebs GmbH & Co. KG  
 D-München

**Salesoffice**

Globix Vertriebs GmbH & Co. KG  
 Schleinufer 14  
 D-39104 Magdeburg

T: +49 (0) 2154 88972 – 0  
 F: +49 (0) 2154 88972 – 10  
 info@globix-it.de  
 www.globix-it.de

Recommended Application Interface Block Diagram

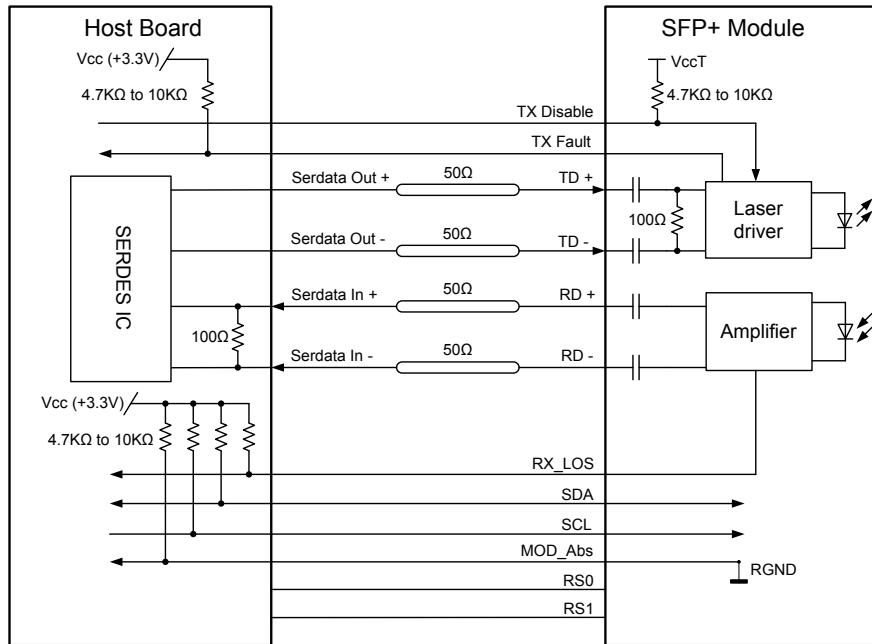


Figure 4. Recommended Application Interface Block Diagram

Mechanical specifications

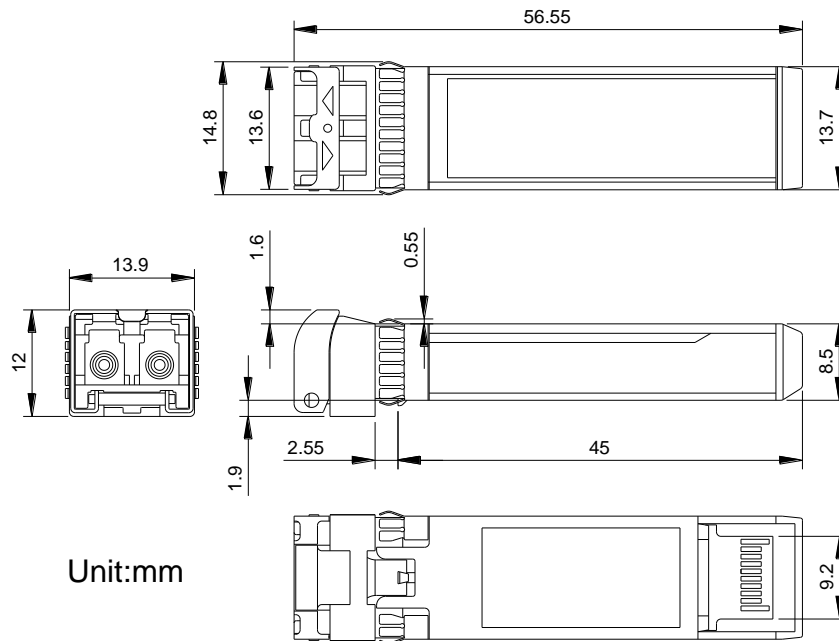


Figure 5. Outline Drawing



PCB layout recommendation

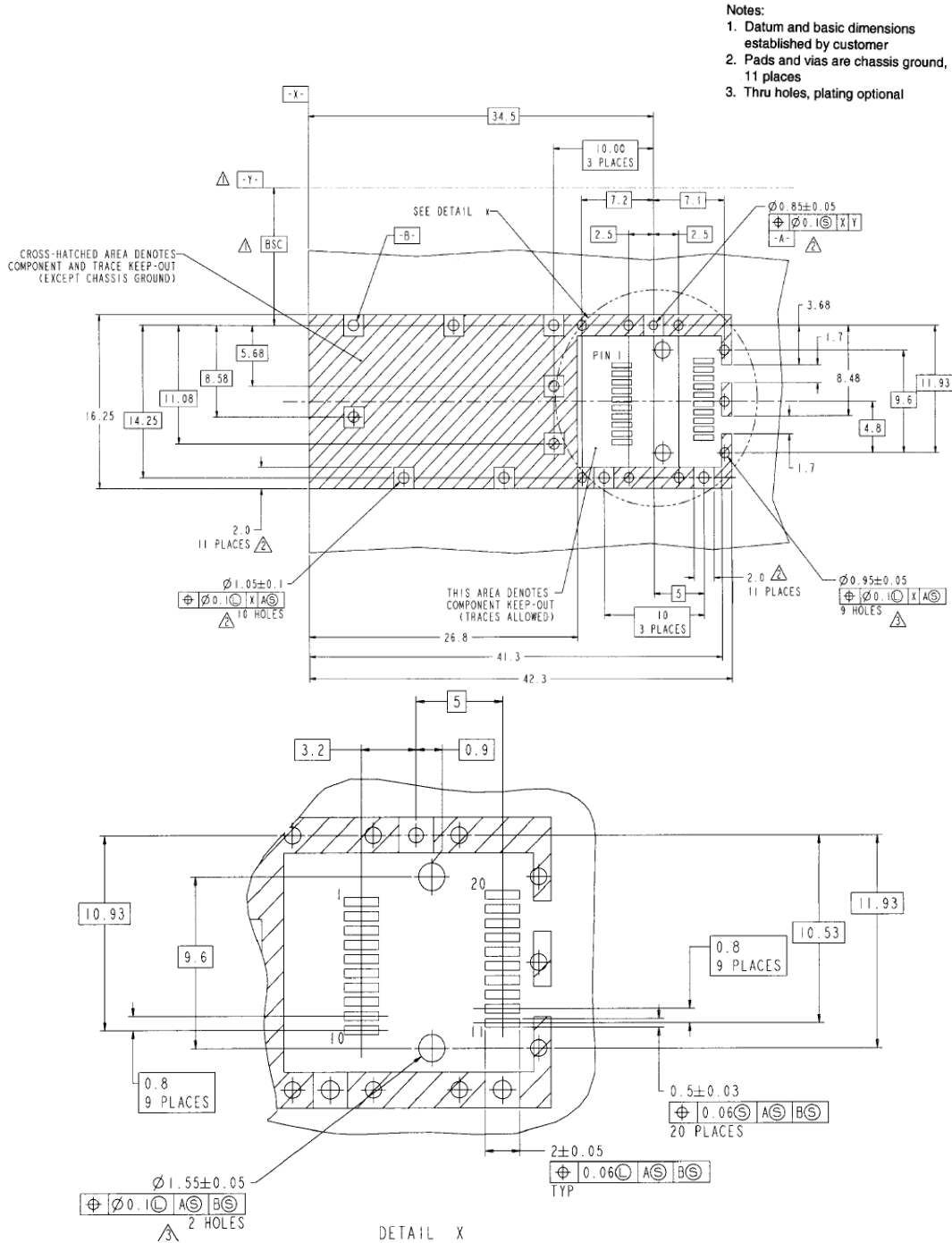


Figure 6. PCB layout recommendation



SFP+ SR  
10G Ethernet 300m SFP+ Transceiver  
10GBASE-SR / 10GBASE-SW



**GLOBIXIT**<sup>™</sup>  
IT NETWORKING SPECIALISTS

---

For more information

Globix Vertriebs GmbH & Co. KG  
Jakob-Meyer-Weg 5  
47877 Willich / Germany

Sales Hotline: +49 (0)391 563921 – 0  
eMail: sales@globix-it.de  
web: www.globix-it.de

---

**Headquater**

Globix Vertriebs GmbH & Co. KG  
Jakob-Meyer-Weg 5  
D-47877 Willich

**Salesoffice**

Globix Vertriebs GmbH & Co. KG  
D-München

**Salesoffice**

Globix Vertriebs GmbH & Co. KG  
Schleiufer 14  
D-39104 Magdeburg

T: +49 (0) 2154 88972 – 0  
F: +49 (0) 2154 88972 – 10  
info@globix-it.de  
www.globix-it.de